

THE SERIES 325 POST AND PANEL SYSTEM

The 325 Series is a highly versatile component of the Charleston Sign Manufacturing family of architectural signage systems. It is primarily designed for non-illuminated exterior use and is intended for primary site identification and directional information.

This system can be personalized to have a single or double-face copy, and you can choose between rectangular, radius, or full-round posts.

The standard posts come in three lengths - 8', 12', and 24', and it is recommended to have a minimum of 3' below ground. After fabrication, the sign is finished to ensure a uniform appearance.

Choose between mill or custom-painted finishes. You can order it preassembled or in a knock-down form through our QUICKSHIP program for easy assembly on-site. Additionally, the 325 Series offers a "flush face" panel option for a frameless appearance.

FINIALS

Standard finial options available on 218, 225, 250, 325 and 750 series.

USED FOR

Wayfinding Signs | Secondary Signs
Primary Signage | Parking Signs
Regulatory Signs

BENEFITS

- **Depth:** 3-1/4"
- **Face Panel(s):** Single or Double - .080
- **Sizes:** Panel range 12" - 48"h x 12" - 144"w
- **Frame:** Reveal, No Reveal or Flush Face
- **Posts Sizes - See Post Options**
2" sq
3-1/4" sq
3 -5/8" round
- **Colors:** Custom Painted or Mill Finish
- **Graphics:** Order with or without

LEAD TIME/WARRANTY

Assembled-Painted

- 10 Working Days

Quick Ship

Unassembled-Unpainted

- 3 business days

Unassembled-Painted

- 5 business days

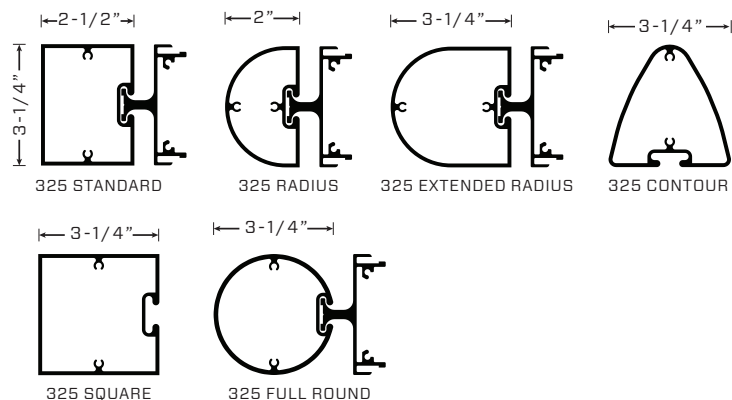
Warranty - 1 year

- Designed for long-term outdoor use.

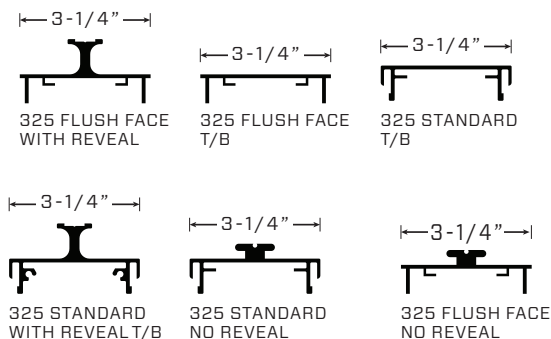


SERIES 325 COMPONENTS

POST OPTIONS »



FRAME OPTIONS »



SERIES 325 CUSTOM DESIGN OPTIONS



EZ SLIDE



CEILING MOUNT */RADIUS CORNERS



FULL ROUND POST & PANEL / FINIALS / CUSTOM TOP



DOUBLE FLAG