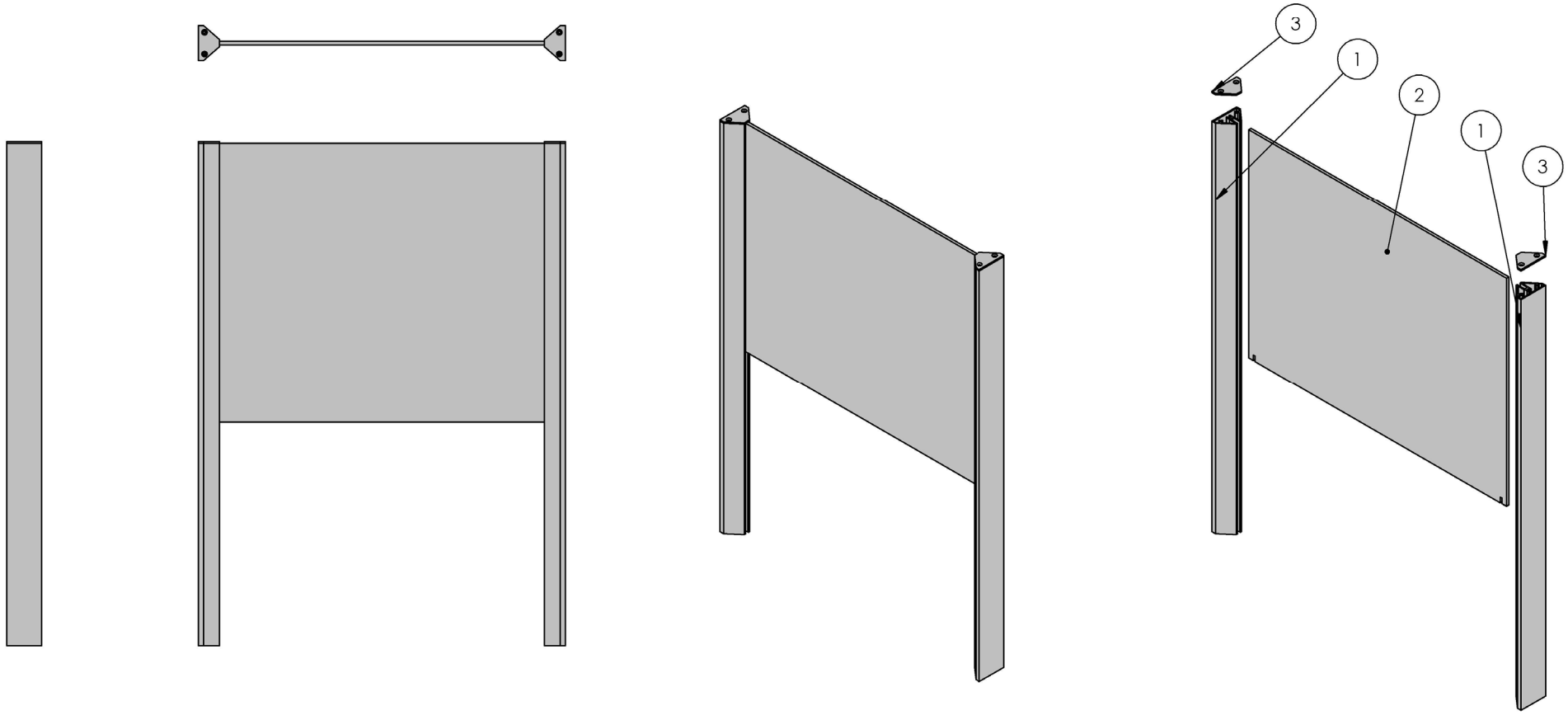




www.charlestonesignsystems.com  
www.charlestonesignmanufacturing.com

ITEM NO.	DESCRIPTION	QTY.
1	C7J1192 - 250 STANDARD FRAME ECONOMY POST	2
2	FACE PANEL - 1/4" ALUMINUM PLATE	1
3	POST CAP - 1/8" X 1 1/2" X 2 1/2" ALUMINUM PLATE	2

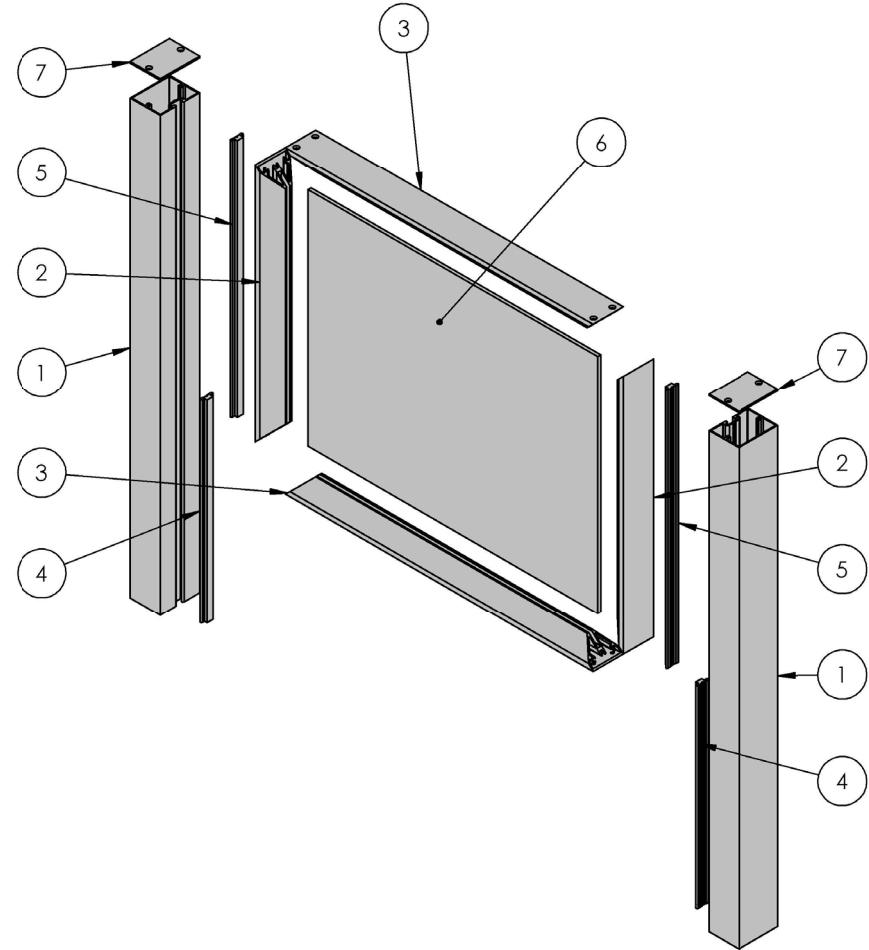
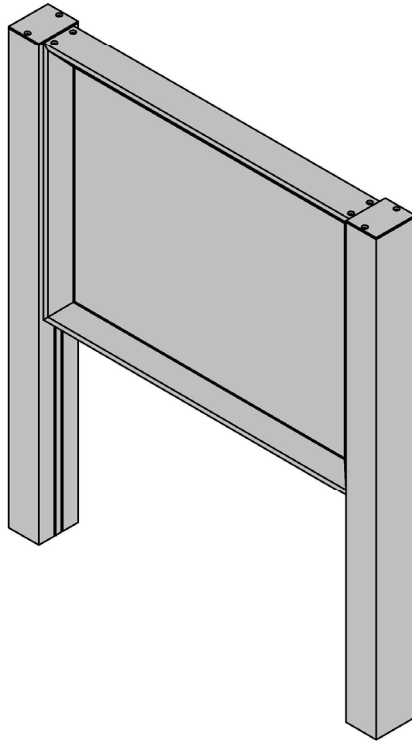
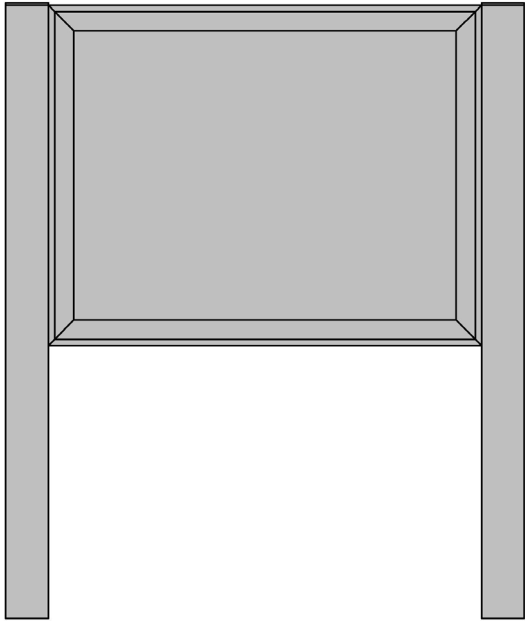


250 ECONOMY



www.charlestonsignsystems.com  
www.charlestonsignmanufacturing.com

ITEM NO.	DESCRIPTION	QTY.
1	C7K0288 - 325 STANDARD POST	2
2	C7J1192 - 250 STANDARD FRAME ECONOMY POST	2
3	C7J1192 - 250 STANDARD FRAME ECONOMY POST	2
4	C51523153 - STOP BLOCK POST FILLER	2
5	C51523153 - STOP BLOCK POST FILLER	2
6	FACE PANEL - 1/4" ALUMINUM PLATE	1
7	POST CAP - 1/8" X 2 1/2" X 3 1/4" ALUMINUM PLATE	2

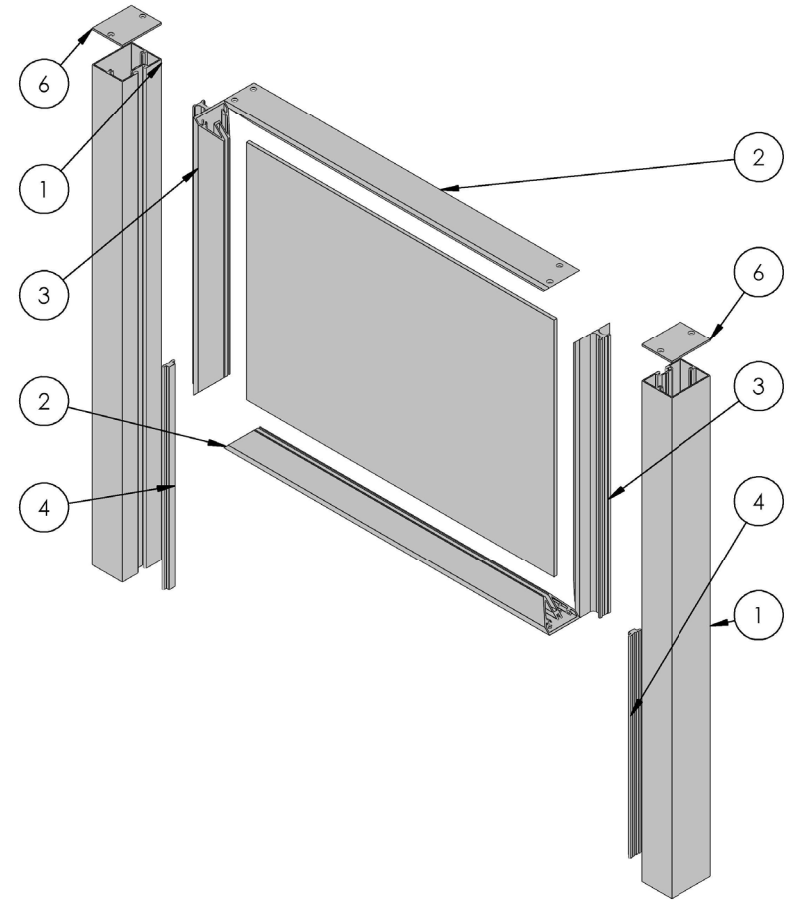
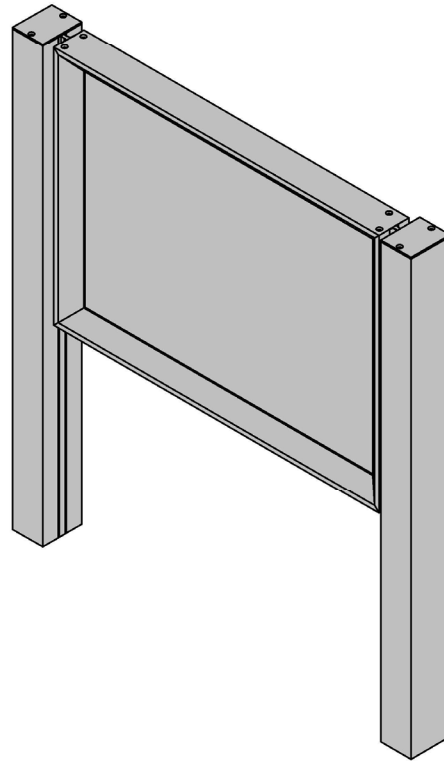
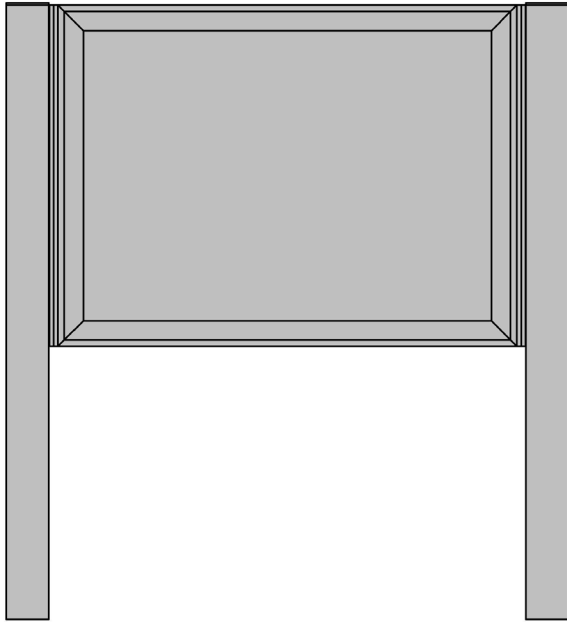


250 STANDARD NO REVEAL



www.charlestonesignsystems.com  
www.charlestonesignmanufacturing.com

ITEM NO.	DESCRIPTION	QTY.
1	C7K0288 - 325 STANDARD POST	2
2	250 STANDARD FRAME ECONOMY POST	2
3	C6H00153 - 250 SIDE FRAME	2
4	C51523153 - STOP BLOCK POST FILLER	2
5	FACE PANEL - 1/4" ALUMINUM PLATE	1
6	POST CAP - 1/8" X 2 1/2" X 3 1/4" ALUMINUM PLATE	2



250 STANDARD WITH REVEAL